

System requirements:

Coils to be wound as solenoids, either as 4 independent coils or grouped as two pairs.

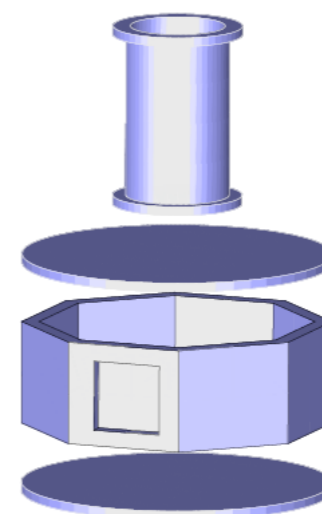
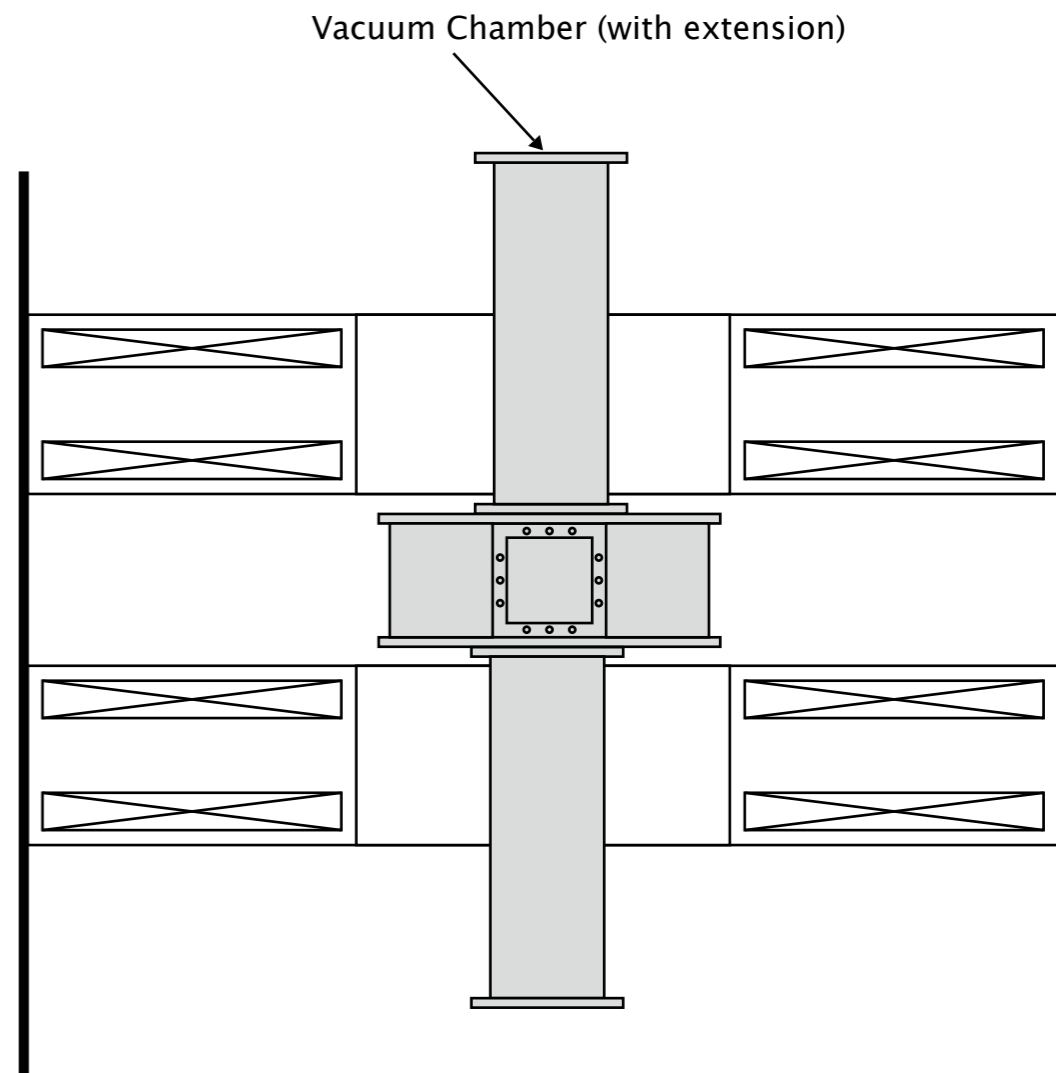
Target magnetic field: 4 Tesla (at midpoint between coils)

Minimum acceptable magnetic field at midpoint: 2 Tesla

Field uniformity: under 5%

Independent power supplies for each coil

NOTE: Our preliminary design considered 4 identical coils, but we are quite flexible – e.g., two large main coils + 2 trim coils would be acceptable.



3-D view of vacuum chamber